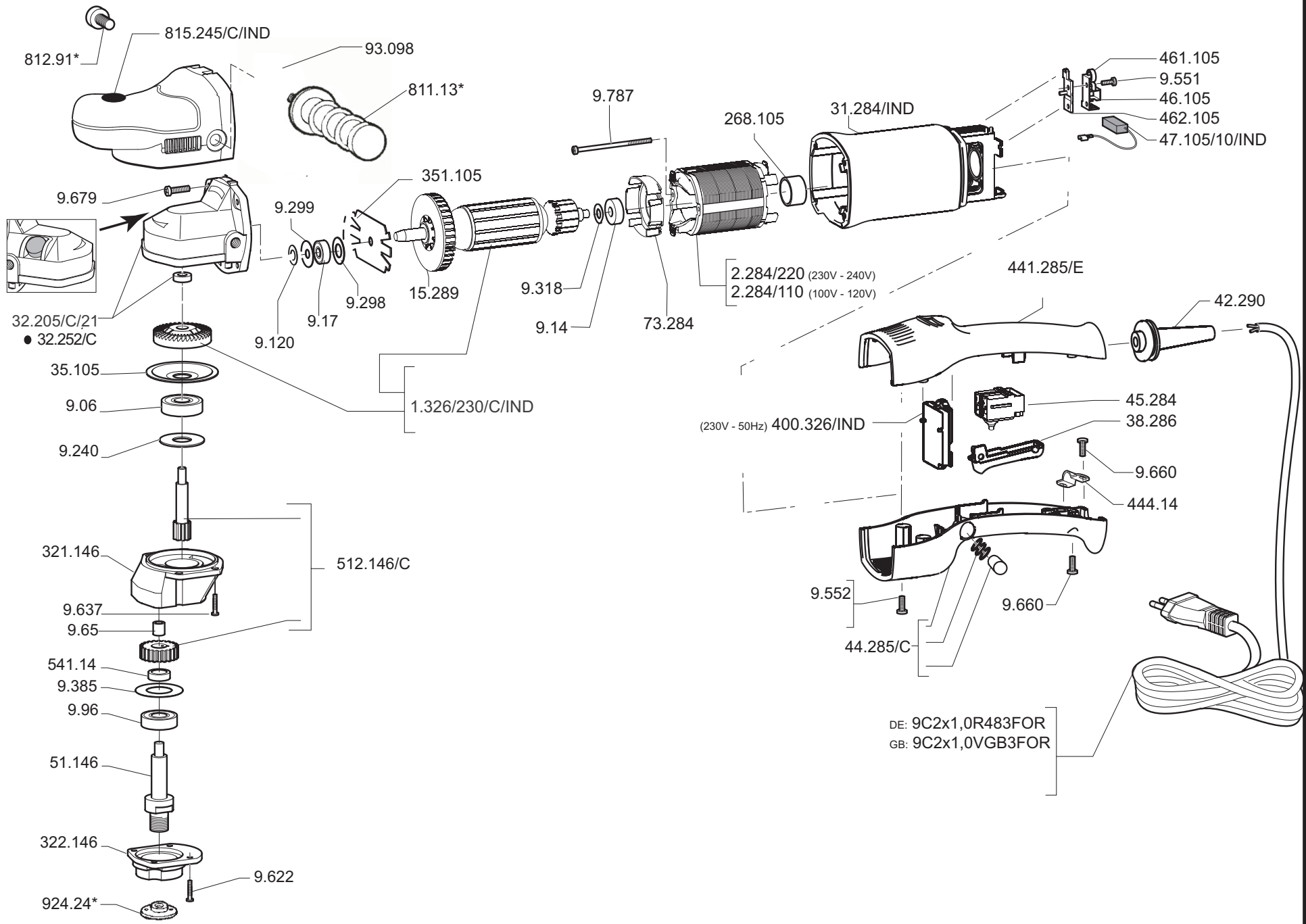




INDASA



DE: 9C2x1,0R483FOR  
 GB: 9C2x1,0VGB3FOR

LUCIDATRICE ANGOLARE  
 ANGULAR POLISHER